



Focus Notebook Mount

General Features

MAXIMUM LOAD:

8kg (17 1/2 lbs).

NOTEBOOK COMPATIBILITY:

Notebook Mount supports Notebooks up to 18".

Mounting Option:

Visidec Focus includes Bolt Through and Desk Clamp mounting options.

- Bolt Through
Suits desktop thicknesses of 12mm - 40mm (1/2" - 1 1/2")
- Desk Clamp
Suits desktop thicknesses of 12mm - 38mm (1/2" - 1 1/2")

Included Hardware:

All fasteners and hardware are included.

Tools Required:

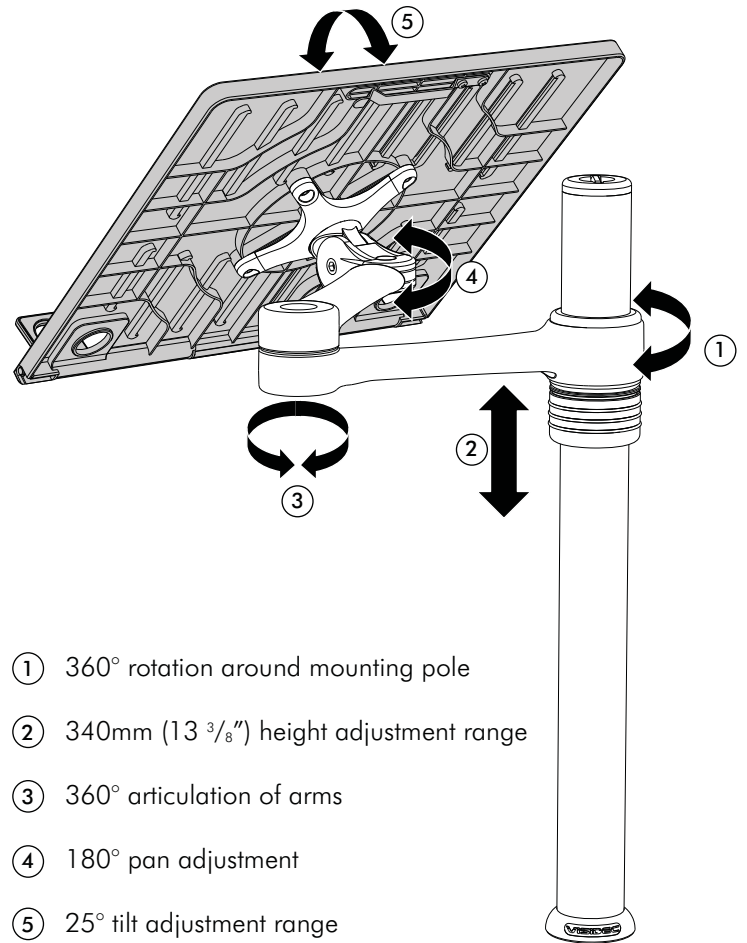
- Power drill
- 9mm (3/8") drill bit
- Phillips Head screwdriver

Cable Management:

Cable management system includes cable slot and cable management clips.

Colour:

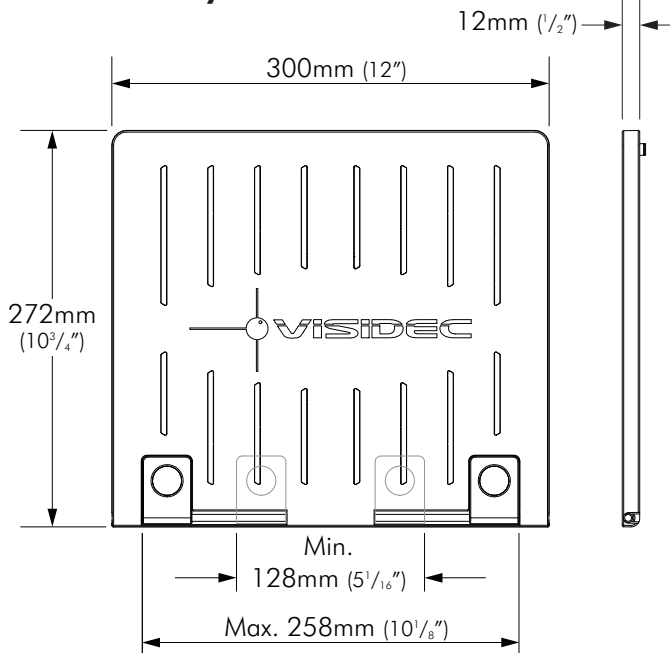
Polished Silver.



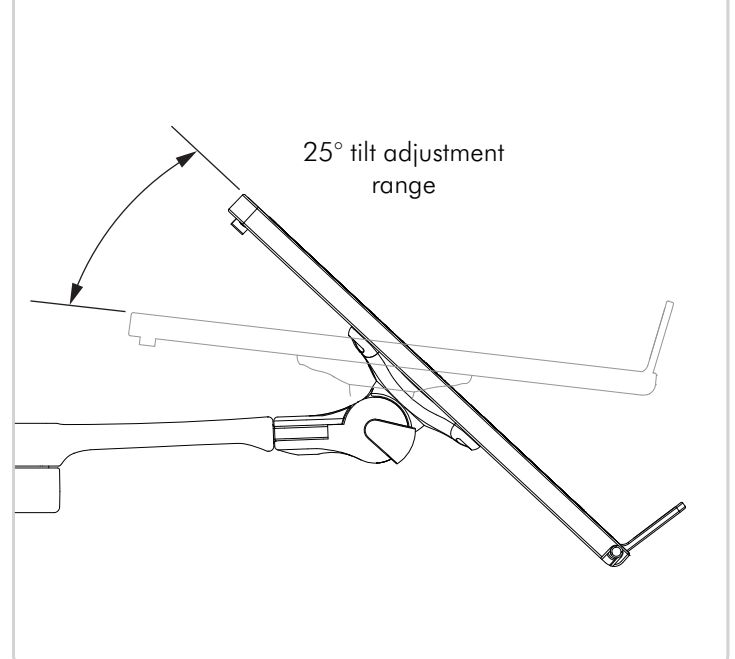
- ① 360° rotation around mounting pole
- ② 340mm (13 3/8") height adjustment range
- ③ 360° articulation of arms
- ④ 180° pan adjustment
- ⑤ 25° tilt adjustment range

Dimensions

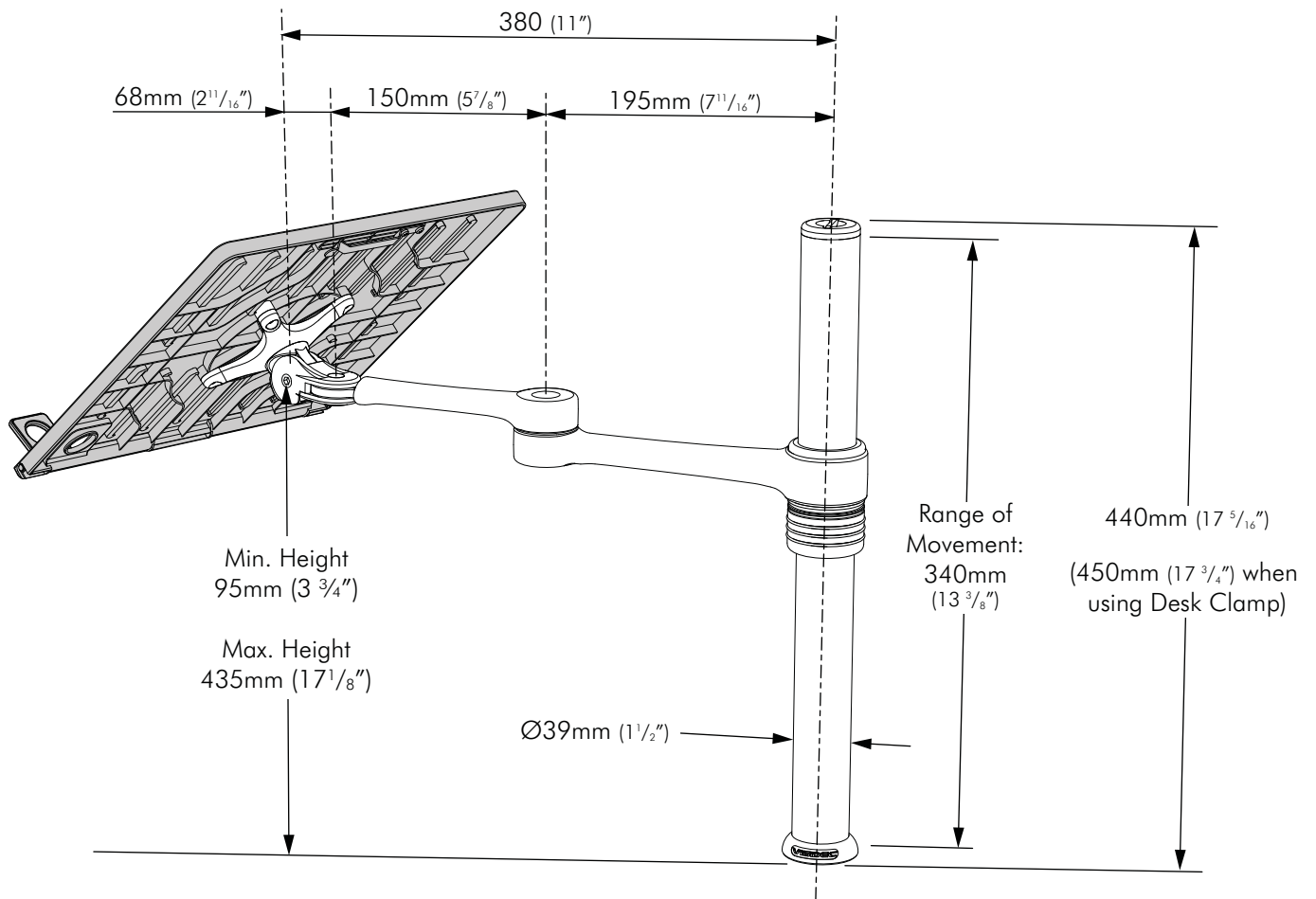
Notebook Tray



Side View



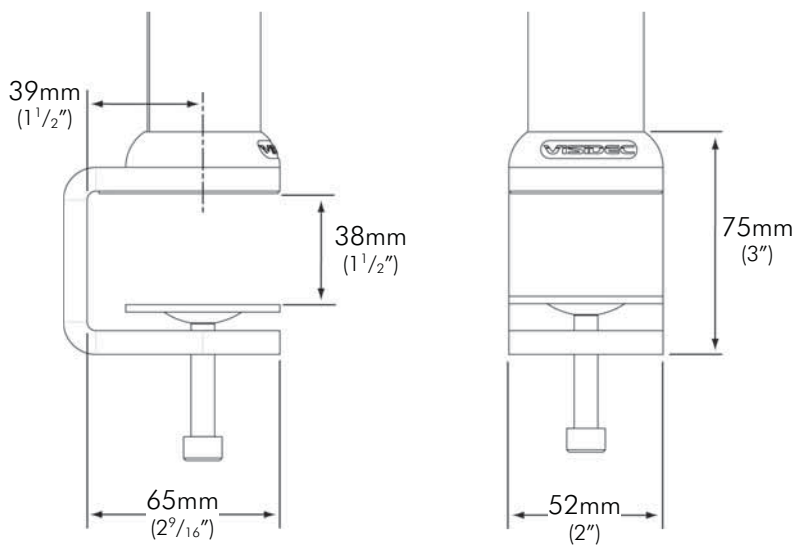
Overall Dimensions



Desk Mounting Options

Desk Clamp

Desk Clamp suits desktop thicknesses of 12mm - 38mm (1/2" - 1 1/2")



Bolt Through

Bolt through suits desktop thicknesses of 12mm - 40mm (1/2" - 1 1/2")

